

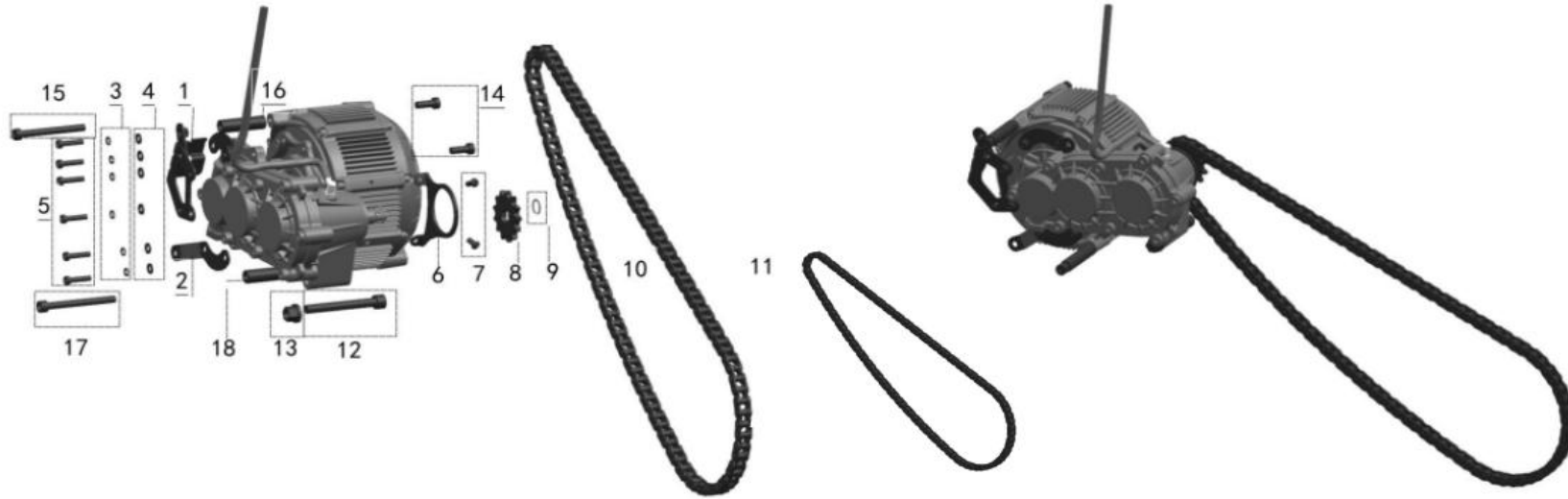
SPARE PARTS CATALOG OF TALARIA STING (TL3000)

FIGURE-01 (FRAME)



Item	Parts Ref. No.	Description (EN)	Unit	Qty.
1_1	40010-56000-002	Chassis (normal black painting)	Pcs	1
	40010-56000-000	Chassis (Anodizing black)	Pcs	1
	40010-56000-001	Chassis (naked)	Pcs	1
1_2	52032-56000-000	VIN Label	Pcs	1
1_3	13554-56000-000	Housing (RST/DNM Fr.fork)	Pcs	1
1_4	13214-56000-000	Middle Bearing (HK1212)	Pcs	2
1_5	40019-56000-000	Liner (Φ13-Φ15.8-20)	Pcs	1
1_6	42701-56000-000	Liner (Φ8-Φ12-51)	Pcs	1
1_7	42803-56000-000	Nylon Liner (Φ12-Φ23)	Pcs	2
1_8	13051-56000-000	Rear Fork Shaft (Φ36-Φ20-42.5)	Pcs	2
1_9	13212-56000-000	Bearing (61904) (Φ37-Φ20-9)	Pcs	2
1_10	13371-56000-000	Liner (Φ25.6-Φ20-7)	Pcs	2

FIGURE-05 (MOTOR & GEARBOX ASSY.)



Item	Parts Ref. No.	Description (EN)	Unit	Qty.
5_1	43921-56000-000	Converter Holder	Pcs	1
5_2	43951-56000-000	Gearbox Decoration Cover Holder	Pcs	2
5_3	10703-56000-000	Spring Washer GB93(M6)	Pcs	6
5_4	10723-56000-000	bracket washer GB/T 97.1(M6)	Pcs	6
5_5	10515-56000-000	Screw DIN7984-2002 (M6*25)	Pcs	6
5_6	43846-56000-000	Gearbox Reinforcing Holder	Pcs	1
5_7	10438-56000-000	Screw GB/T70.2 (M6*10)	Pcs	2
5_8	22090-56000-000	Driving Sprocket	Pcs	1
5_9	10787-56000-000	Circlip GB/T894	Pcs	1
5_10	31353-56000-000	Chain(420-104t)	Pcs	1
5_11	31352-56000-000	Chain(420-106t)	Pcs	1
5_12	10405-56000-000	Bolt GB/T70.1 (M10*80)	Pcs	1
5_13	10044-56000-000	Nut GB/T6187.1 (M10)	Pcs	1
5_14	10525-56000-000	Screw DIN7984-2002 (M8*25)	Pcs	2
5_15	10385-56000-000	Bolt GB/T70.1 (M8*75)	Pcs	1

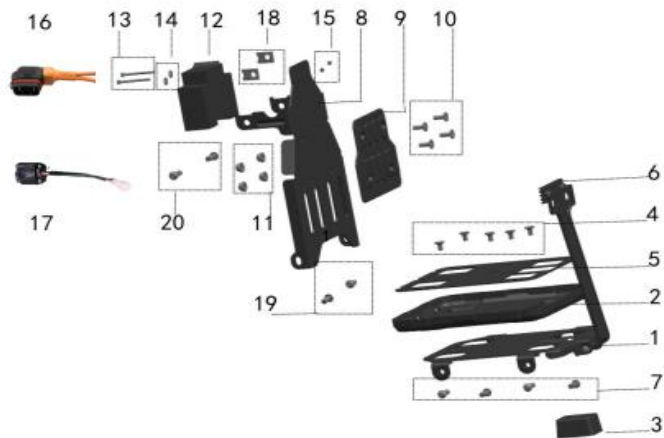
5_16	13381-56000-000	Liner (Φ8.5-Φ15-51)	Pcs	1
5_17	10386-56000-000	Bolt GB/T70.1 (M8*80)	Pcs	1
5_18	13382-56000-000	Liner (Φ8.5-Φ15-59.5)	Pcs	1
FIGURE-06 (FRAME INTERNAL COMPONENTS)				



Item	Parts Ref. No.	Description (EN)	Unit	Qty.
6_1	12122-56000-000	Left Battery Pack Holder Rubber Cushion	Pcs	1
6_2	12123-56000-000	Right Battery Pack Holder Rubber Cushion	Pcs	1
6_3	10471-56000-000	Screw GB/T70.3-2000(M5*10)	Pcs	6
6_4	12124-56000-000	Rear Battery Pack Holder Cushion	Pcs	1
6_5	10438-56000-000	Screw GB/T70.2(M6*10)	Pcs	2
6_6	43411-56000-000	Battery Pack Rear Fender Holder	Pcs	4
6_7	10428-56000-000	Scfew GB/T70.2 (M5*10)	Pcs	4
6_8	43842-56000-000	Controller Upper Left & Right Holder	Pcs	2
6_9	10438-56000-000	Screw GB/T70.2 (M6*10)	Pcs	8
6_10	43845-56000-000	Controller Lower Holder	Pcs	2
6_11	50010-56000-000	Harness Assy.	Pcs	1
6_12	43353-56000-000	Harness Assy. Clip	Pcs	1
6_13	43354-56000-000	mounting plate,main harness	Pcs	1

6_14	10438-56000-000	Screw GB/T70.2 (M6*10)	Pcs	1
6_15	10438-56000-000	Screw GB/T70.2 (M6*10)	Pcs	1

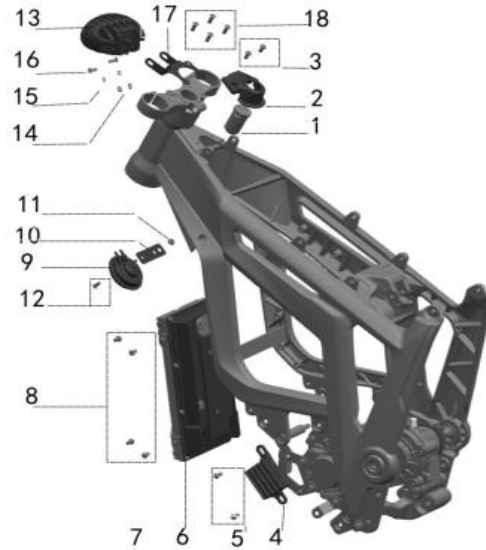
FIGURE-07 (BATTERY PACK HOLDER)



Item	Parts Ref. No.	Description (EN)	Unit	Qty.
7_1	43071-56000-000	Battery Pack Holder Bracket	Pcs	1
7_2	42092-56001-000		Pcs	1
7_3	12125-56000-000		Pcs	1
7_4	10471-56000-000	Screw GB/T70.3-2000 (M5*10)	Pcs	5
7_5	12291-56000-000		Pcs	1
7_6	12125-56000-000		Pcs	1
7_7	10440-56000-000	Screw GB/T70.2 (M6*14)	Pcs	4
7_8	43091-56000-000	Battery Pack Holder Front Fender	Pcs	1
7_9	12121-56000-000	Battery Pack Holder Front Rubber Cushion	Pcs	1
7_10	10473-56000-000	Screw GB/T70.3-2000 (M5*14)	Pcs	4
7_11	10041-56000-000	Nut GB/T6187.1(M5)	Pcs	4
7_12	50190-56000-000	Circuit Breaker	Pcs	1
7_13	10500-56000-000	Screw DIN7984-2002(M3*35)	Pcs	2
7_14	10720-56000-000		Pcs	2
7_15	10040-56000-000	Nut GB/T6187.1 (M3)	Pcs	2
7_16	50020-56000-000	(Кабель для аккумуляторной батареи TALARIA) Battery Pack Discharge Cable	Pcs	1

7_17	50170-56000-000	(Датчик падения)Tip-Over Sensor	Pcs	1
7_18	10796-56000-000	Clamp Plate (M6)	Pcs	2
7_19	10438-56000-000	Screw GB/T70.2 (M6*10)	Pcs	2
7_20	10441-56000-000	Screw GB/T70.2 (M6*16)	Pcs	2

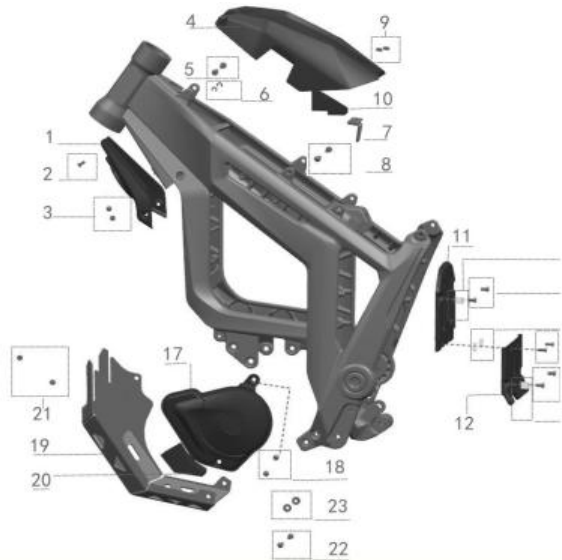
FIGURE-8 (ELECTRICAL PARTS)



Item	Parts Ref. No.	Description (EN)	Unit	Qty.
8_01	50400-56000-000	Key Switch	Set	1
8_02	32841-56000-000	Key Switch Decoration Cover (Plastic)	Pcs	1
8_03	10428-56000-000	Screw GB/T70.2 (M5*10)	Pcs	2
8_04	50030-56000-000	DC Converter	Pcs	1
8_05	10438-56000-000	Screw GB/T70.2 (M6*10)	Pcs	2
8_06	24000-56000-000	Controller	Pcs	1
8_07	10571-56000-000	Screw DIN912(M6*12 with washer)	Pcs	5
8_08	10438-56000-000	Screw GB/T70.2 (M6*10)	Pcs	4
8_09	50070-56000-000	Horn	Pcs	1
8_10	43191-56000-000	Horn Holder	Pcs	1
8_11	10042-56000-000	Nut GB/T6187.1(M6)	Pcs	1

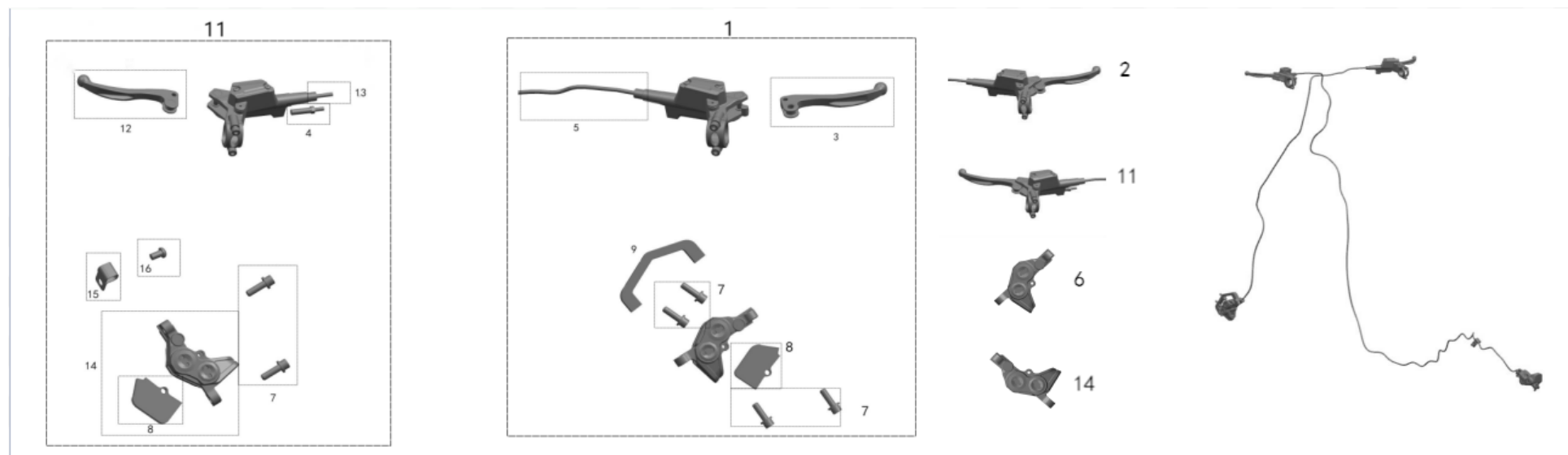
8_12	10428-56000-000	Screw GB/T70.2 (M5*10)	Pcs	1
8_13	51010-56000-000	Headlight	Pcs	1
8_14	10722-56000-000	Headlight Fixing Flat Washer	Pcs	2
8_15	10702-56000-000	Headlight Fixing Spring Washer	Pcs	2
8_16	10429-56000-000	Screw GB/T70.2(M5*12)	Pcs	2
8_17	43021-56000-000	Headlight Holder	Pcs	1
8_18	10440-56000-000	Screw GB/T70.2 (M6*14)	Pcs	4

FIGURE-09 (Exterior Fixing Parts)



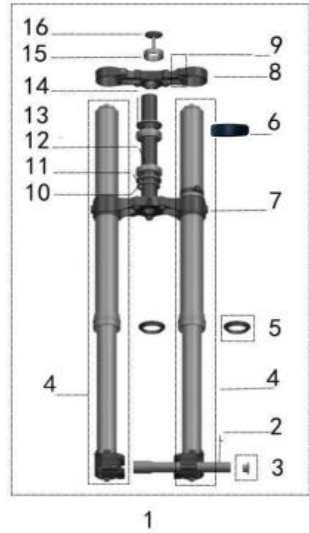
Item	Parts Ref. No.	Description (EN)	Unit	Qty.
9_01	42053-56000-000	Horn Decoration Cover	Pcs	1
9_02	10428-56000-000	Screw GB/T70.2(M5*10)	Pcs	1
9_03	10430-56000-000	Screw GB/T70.2(M5*14)	Pcs	2
9_04	32871-56001-000	Battery Pack Holder Cover	Pcs	1
9_05	10552-56000-000	Battery Pack Holder Cover Pin	Pcs	2
9_06	10781-56000-000	Split Washer (Internal Diameter Φ5)	Pcs	2

FIGURE-10 (刹车)



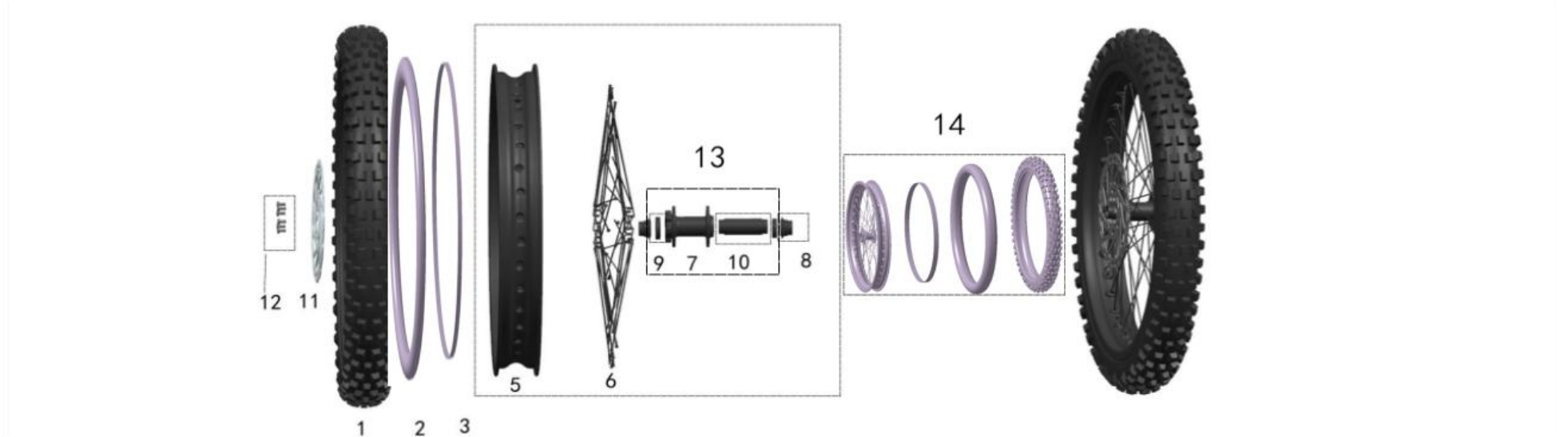
Item	Parts Ref. No.	Description (EN)	Unit	Qty.
10_01	35450-56000-000	Fr. Brake Assy.	Set	1
10_02	35460-56000-000	Fr. Brake Upper Pump Assy.	Set	1
10_03	35461-56000-000	Fr. Brake Lever	Pcs	1
10_04	35469-56000-000	Brake Power Cut-Off Cable	Pcs	2
10_05	35451-56000-000	Fr. Brake Oil Hose	Pcs	1
10_06	35451-56000-000	Fr. Brake Clipper Assy.	Set	1
10_07	35458-56000-000	Screw (M6*16 with washer)	Pcs	6
10_08	35533-56000-000	Brake Pad	Pcs	2
10_09	43751-56000-000	Front Brake Holder (RST)	Pcs	2
10_10	35530-56000-000	Rr. Brake Assy.	Set	1
10_11	35540-56000-000	Rr. Brake Upper Pump Assy.	Set	1
10_12	35541-56000-000	Rr. Brake Lever	Pcs	1
10_13	35551-56000-000	Rr. Brake Oil Hose	Pcs	1
10_14	35532-56000-000	Rr. Brake Clipper Assy.	Set	1
10_15	43352-56000-000	Rr. Brake Oil Hose Clip	Pcs	1
10_16	10438-56000-000	Screw GB/T70.2(M10*6)	Pcs	1

FIGURE-12 (Fr. Fork)



Item	Parts Ref. No.	Description (EN)	Unit	Qty.
12_1	40480-56001-000	Fr. Fork Assy. (DNM 27.5")	Set	1
12_2	40486-56001-000	Fr. Wheel Axle (DNM)	Pcs	1
12_3	40487-56001-000	Set Bolt (DNM)	Pcs	1
12_4	40490-56001-000	Fr. shock (DNM)	Set	2
12_5	40492-56001-000	Oil Seal(Fr.shock)	Pcs	2
12_6	40485-56001-000	Steering Buffer Rubber	Pcs	2
12_7	40481-56001-000	Lower Crown/Steer Assy.	Pcs	1
12_8	40496-56001-000	Upper Crown	Pcs	1
12_9	10573-56000-000	Screw DIN912 (RST-M6*18-with washer)	Pcs	7
12_10	43535-56000-000	Head Tube Spacer(Φ42-Φ30-0.5)	Pcs	1
12_11	13555-56000-000	Lower Headset Washer	Pcs	1
12_12	13213-56000-000	Lower Headset Assy.	Set	2
12_13	13553-56000-000	Split Snap Ring	Pcs	1
12_14	13511-56000-000	Upper Headset Cap	Pcs	1
12_15	43532-56000-000	Stem Washer	Pcs	1
12_16	40500-56000-000	Screw, fr.fork (RSTΦ23.5)	Set	1
	40501-56000-000	Screw, fr.fork (MANITOUΦ26.2)	Pcs	1
12_17	40480-56000-000	Fr. Fork Assy. (RST 26")	Set	1

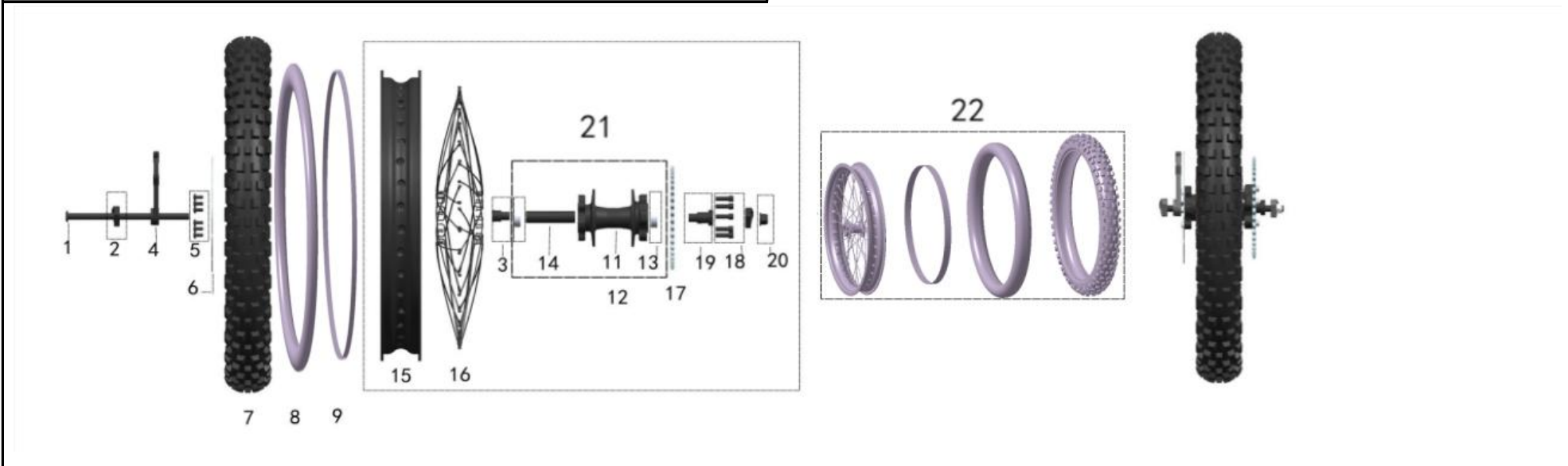
12_18	40486-56000-000	Fr. Wheel Axle (RST)	Pcs	1
12_19	40487-56000-000	Set Bolt (RST)	Pcs	1
12_20	40490-56000-000	(RST)	Set	1
12_21	40492-56000-000	Oil Seal	Pcs	2
12_22	40485-56000-000	Steering Buffer Rubber	Pcs	2
12_23	40481-56000-000	Lower Crown/Steer Assy.	Pcs	1
12_24	40496-56000-000	Upper Crown	Pcs	1
12_25	10573-56000-000	Screw DIN912 (RST-M6*18-with washer)	Pcs	7
12_26	40480-56003-000	Fr. Fork Assy. (MANITOU 27.5")	Set	1
FIGURE-13 (Fr. Wheel Assy.)				



Item	Parts Ref. No.	Description (EN)	Unit	Qty.
13_1	31303-56000-000	Fr. Tire (E-Mark) 70/100-19	Pcs	1
	31304-56000-000		Pcs	1
13_2	31322-56000-000	Fr. Tire Inner Tube	Pcs	1
	31323-56000-000		Pcs	1
13_3	31341-56000-000	Rim Band	Pcs	1
13_4	31010-56000-000	Fr. Rim Assy.	Set	1
13_5	31011-56000-000	Fr. Rim	Pcs	1
13_6	31028-56000-000	Spoke Assy.	Pcs	36
13_7	31021-56000-000	Fr. Wheel Hub Assy.	Pcs	1

13_8	31025-56000-000	Fr. Wheel Spacer	Pcs	2
13_9	13222-56000-000	Fr. Wheel Hub Bearing	Pcs	2
13_10	31013-56000-000	Fr. Wheel Hub Inner Liner	Pcs	1
13_11	35470-56000-000	Front Brake Disc	Pcs	1
13_12	10628-56000-000	Screw GB/T818 (M5*10)	Pcs	6
13-13	31021-5600Z-000		PCS	1
13-14	31010-5600Z-000		PCS	1

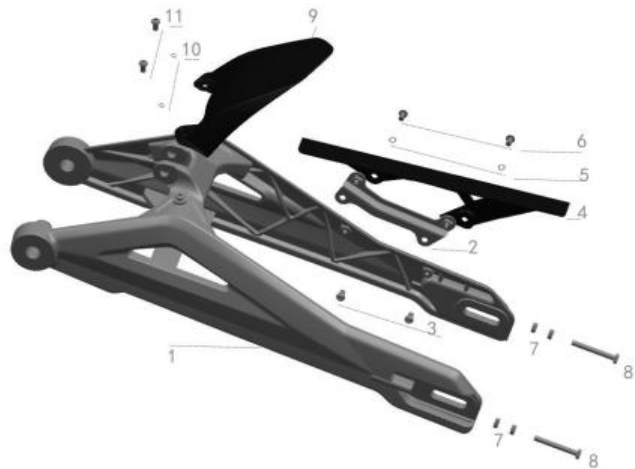
FIGURE-14 (Rr. Wheel Assy.)



Item	Parts Ref. No.	Description (EN)	Unit	Qty.
14_1	13191-56000-000	Rr. Wheel Axle	Pcs	1
14_2	43671-56000-000	Chain Tensioner	Pcs	2
14_3	13151-56000-000	Rr. Wheel L. Setback Liner	Pcs	1
14_4	43681-56000-000	Rr. Brake Clipper Holder	Pcs	1
14_5	10634-56000-000	Screw GB/T818 (M6*12)	Pcs	6
14_6	35591-56000-000	Rr. Brake Disc	Pcs	1
14_7	31311-56000-000	Rr. Tire (E-Mark)	Pcs	1
	31312-56000-000	Rr. tire (Non-emark)	Pcs	1
14_8	31332-56000-000	Rr. Tire Inner Tube (E-Mark)	Pcs	1
	31333-56000-000		Pcs	1
14_9	31341-56000-000	Rr. Rim Band	Pcs	1

14_10	31130-56000-000	Rr. Rim Assy.	Set	1
14_11	31135-56000-000	Rr. Wheel Hub	Pcs	1
14_12	31132-56000-000	Oil Seal (Φ20-Φ37-7)	Pcs	2
14_13	13221-56000-000	Rr. Wheel Hub Bearing (6202-2RS)	Pcs	2
14_14	31145-56000-000	Rr. Wheel Hub Inner Spacer (Φ21-81.5)	Pcs	1
14_15	31156-56000-000	Rr. Rim	Pcs	1
14_16	31153-56000-000	Rr. Wheel Spoke Assy.	Set	36
14_17	31369-56000-000	Rear Sprocket (44T)	Pcs	1
14_18	10373-56000-000	Screw (M8*18)	Pcs	5
14_19	13171-56000-000	Rr. Wheel R. Setback Liner	Pcs	1
14_20	10045-56000-000	Nut GB/T6187.1 (M12*1.25)	Pcs	1
14_21	31135-5600Z-000	Rr. hub assy.	Set	1
14_22	31130-5600Z-000	Rr.wheel assy.	Set	1

FIGURE-15 (后平叉组)



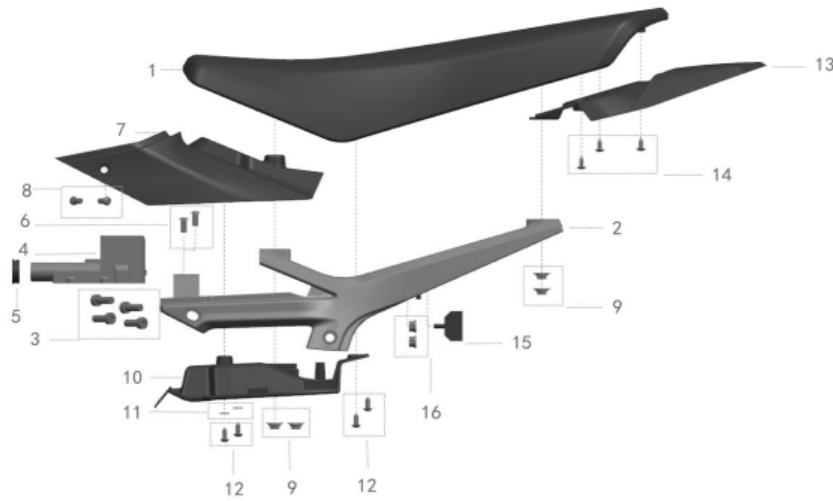
Item	Parts Ref. No.	Description (EN)	Unit	Qty.
15_1	40430-56001-002	Rr. Fork Assy. (normal black painting)	Pcs	1
	40430-56001-000	Rr. Fork Assy. (anodizing black)	Pcs	1
	40430-56001-001	Rr. Fork Assy. (naked)	Pcs	1
15_2	40436-56000-000	Chain Guide Holder	Pcs	1
15_3	10438-56000-000	Screw GB/T70.2 (M6*10)	Pcs	2

15_4	43010-56000-000	Chain Guide	Pcs	1
15_5	10723-56000-000	Washer GB/T97.1 (M6)	Pcs	2
15_6	10438-56000-000	Screw GB/T70.2 (M6*10)	Pcs	2
15_7	10004-56000-000	Nut GB/T6170 (M6)	Pcs	4
15_8	10132-56000-000	Bolt GB/T5783 (M6*40)	Pcs	2
15_9	43671-56000-000	Chain Tensioner	Pcs	2
15_10	32315-56000-000	Rr. Wheel Fender	Pcs	1
15_11	10723-56000-000	Washer GB/T97.1 (M6)	Pcs	2
15_12	10438-56000-000	Screw GB/T70.2 (M6*10)	Pcs	2
FIGURE-16 (Rr. Suspension Assy.)				



Item	Parts Ref. No.	Description (EN)	Unit	Qty.
16_1	42800-5600Z-000	Swing Arm Assy.	Pcs	1
16_2	42800-56000-000	Swinging Arm	Pcs	1
16_3	10402-56000-000	Bolt GB/T70.1 (M10*65)	Pcs	1
16_4	42801-56000-000	Swinging Arm Liner (Φ12-Φ8-29)	Pcs	1
16_5	13215-56000-000	Swinging Arm Niddle Bearing (HK1210)	Pcs	2
16_6	10044-56000-000	Nut GB/T6187.1 (M10)	Pcs	1
16_7	42803-56000-000	Swinging Arm Nylon Liner (Φ12-Φ23)	Pcs	2
16_8	13216-56000-000	Swinging Arm Niddle Bearing (HK14180)	Pcs	2
16_9	42802-56000-000	Swinging Arm Liner (Φ14-Φ10-29)	Pcs	1

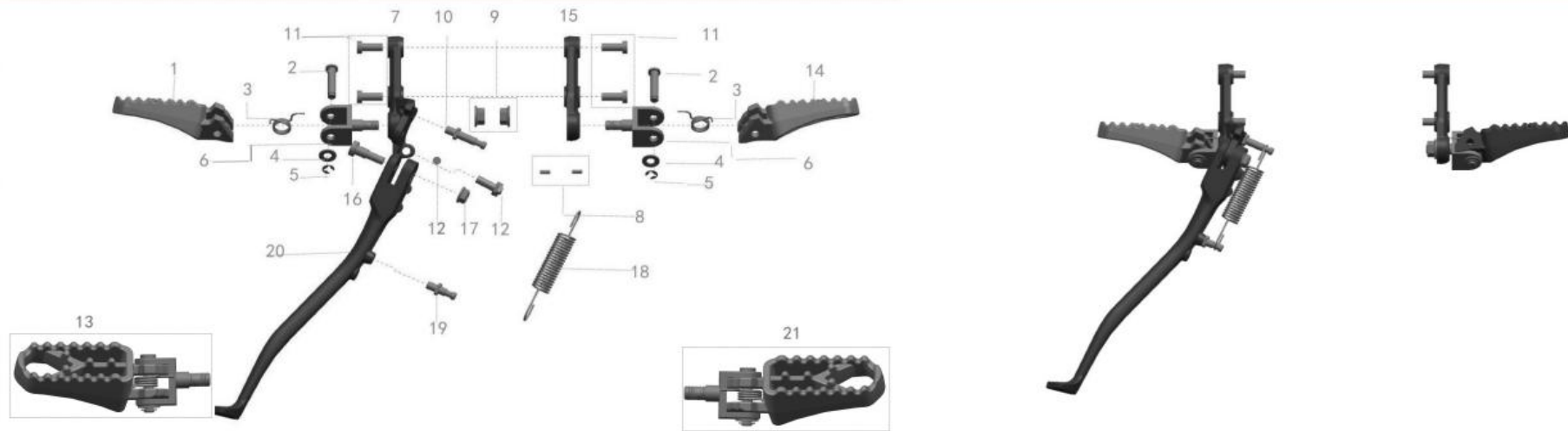
16_10	42804-56000-000	Swinging Arm Nylon Liner (Φ14-Φ23)	Pcs	2
16_11	42700-56000-000	Swinging Arm Linkage	Pcs	1
16_12	10383-56000-000	Bolt GB/T70.1 (M8*65)	Pcs	1
16_13	10387-56000-000	Bolt GB/T70.1 (M8*85)	Pcs	1
16_14	42600-56000-000	Rr. Absorber Assy. (FAST)	Set	1
16_15	10382-56000-000	Bolt GB/T70.1 (M8*60)	Pcs	1
16_16	10043-56000-000	Bolt GB/T6187.1 (M8)	Pcs	4
16_17	10381-56000-000	Bolt GB/T70.1 (M8*55)	Pcs	1
16_18	42600-56001-000	Rr. Absorber Assy.(DNM)	Set	1
FIGURE-17 (Seat Assy.)				



Item	Parts Ref. No.	Description (EN)	Unit	Qty.
17_1	41010-56001-000	Seat Assy.	Set	1
17_2	40300-56000-002	Seat Holder(matt painted)	Pcs	1
17_3	10524-56000-000	Screw DIN7984-2002(M8*20)	Pcs	4
17_4	50400-56000-000	Battery Pack Holder Cover Lock Bracket	Set	1
17_5		Ring	Set	1
17_6	10440-56000-000	Screw GB/T70.2 (M6*14)	Pcs	2
17_7	32881-56000-000	Fr.upper part, seat plastic plate	Pcs	1
17_8	10438-56000-000	Screw GB/T70.2 (M6*10)	Pcs	2
17_9	10042-56000-000	Nut GB/T6187.1 (M6)	Pcs	4

17_10	32882-56000-000	Fr.lower part, seat plastic plate	Pcs	1
17_11	43534-56000-000	Silica-gel Washer (Φ10*Φ5*1.9)	Pcs	2
17_12	10611-56000-000	Screw GB/T845 (ST4.8*13)	Pcs	4
17_13	32431-56000-000	Plastic tail	Pcs	1
17_14	10611-56000-000	Screw GB/T845 (ST4.8*13)	Pcs	3
17_15	51080-56000-000	Tail Lamp	Pcs	1
17_16	10041-56000-000	Nut GB/T6187.1 (M5)	Pcs	2

FIGURE-18 (Footpeg Assy.)



Item	Parts Ref. No.	Description (EN)	Unit	Qty.
18_1	40620-56000-000	L. Footpeg	Pcs	1
18_2	43644-56000-000	Footpeg Fixing Pin	Pcs	2
18_3	11802-56000-000	Footpeg Return Spring	Pcs	2
18_4	10724-56000-000	Washer (Φ8*Φ18*1.5)	Pcs	2
18_5	10782-56000-000	Circlip (inner diameter Φ6)	Pcs	2
18_6	40622-56000-000	Footpeg connector	Pcs	2
18_7	40620-56000-000	L. Footpeg Holder	Pcs	1
18_8	43643-56000-000	Pin (Φ4*10)	Pcs	4
18_9	10044-56000-000	Nut GB/T6187.1 (M10*1.25)	Pcs	2
18_10	40327-56000-000	Side Kickstand Spring Pin A	Pcs	1
18_11	10525-56000-000	Screw DIN (M8*25)	Pcs	4

18_12	50200-56000-000	Side Kickstand Power-Off Switch	Set	1
18_13	40620-5600Z-000	L. Footrest Assy.	Set	1
18_14	40640-56000-000	R. Footpeg	Pcs	1
18_15	40642-56000-000	R. Footpeg Holder	Pcs	1
18_16	40324-56000-000	Screw (M8*30)	Pcs	1
18_17	10043-56000-000	Nut GB/T6187.1 (M8)	Pcs	1
18_18	11401-56000-000	Side Kickstand Spring	Pcs	1
18_19	40328-56000-000	Side Kickstand Spring Pin B	Pcs	1
18_20	40320-56001-000	Side Kickstand	Pcs	1
18_21	40640-5600Z-000		Set	1

FIGURE-19 (Fr. Fender & No. Plate)



Item	Parts Ref. No.	Description (EN)	Unit	Qty.
19_1	32010-56000-000	Fr.fender (DNM version)	Pcs	1
19_2	10440-56000-000	Bolt for fr.femder GB/T70.2(M6*16)	Pcs	3
19_3	10723-56000-000	washer, front fender GB/T 97.1(6Φ×Φ16×1)	Pcs	3
19_4	32013-56000-000	Fr. Fender(RST version)	Pcs	1
19_5	12572-56000-000	Fixing Strip (8*300)	Pcs	10
19_6	12571-56000-000	Fixing Strip (4*200)	Pcs	4
19_7	52031-56000-000	No. Plate	Pcs	1

FIGURE-22 (Tool Kit)



Item	Parts Ref. No.	Description (EN)	Unit	Qty.
22_1	52051-56000-000	Tool Kit (RST/DNM)	Set	1
22_2	52053-56000-000	#3 Inner Hexagon Spanner	Pcs	1
22_3	52054-56000-000	#4 Inner Hexagon Spanner	Pcs	1
22_4	52055-56000-000	#5 Inner Hexagon Spanner	Pcs	1
22_5	52057-56000-000	#8 Inner Hexagon Spanner	Pcs	1
22_6	52068-56000-000	#15 Inner Hexagon Spanner	Pcs	1